

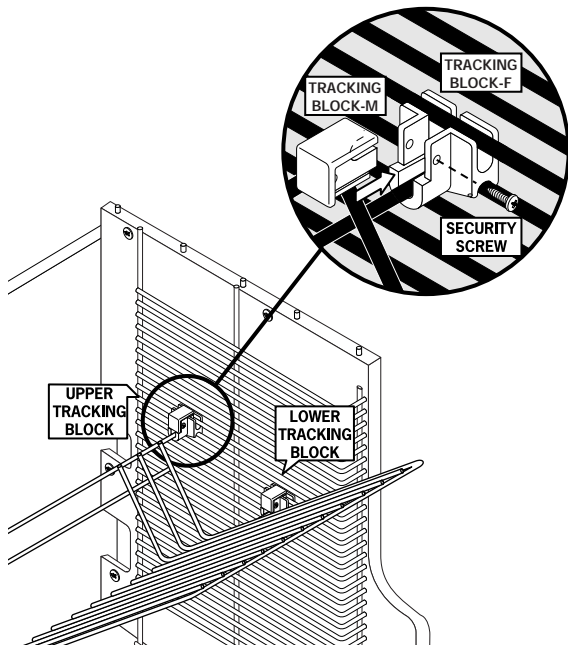
Nova Solutions™

Semi-Recessed

MONITOR INSTALLATION

DO NOT REMOVE...

Unless YOU are Installing the Monitor!

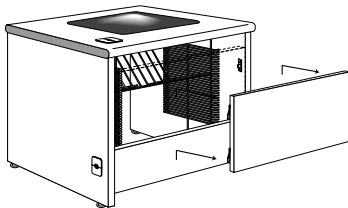


THIS PANEL IS REMOVABLE

This desk has been designed with Nova's

Total Access™ completely removable panel.

Pull up and out to gain complete access to your computer hardware and wiring.



The Monitor Support adjusts three ways — for height, angle and forward/backward. Adjust it so that you have a comfortable viewing angle of the monitor when you are in a normal working position.

THE RULES OF CORRECT INSTALLATION**

1. Install monitor with top back as high as needed without losing the appropriate viewing angle.
2. Screen should point slightly above the user's face (bottom edge of monitor is nearer to the eye than top edge).

Step #1

Remove monitor base. Push Outward Locking Tabs back to unlock keyboard drawer. Remove the keyboard drawer. Lower the monitor through the viewport opening while allowing the wires to feed through the back of the monitor support. If the monitor is too heavy or cumbersome, make sure you get assistance.

Step #2

Determine the modification necessary to accomplish the preferred viewing angle (see *The Rules of Correct Installation*). To make angle adjustments, move either the top or the bottom Tracking Block assemblies independently of each other. For standard-size monitors, a good starting point is 7 spaces down in front and 5 spaces down in back.

Step #3

Once the angle is adjusted, adjust the height by raising or lowering both upper and lower Tracking Block assemblies the same number of spaces.

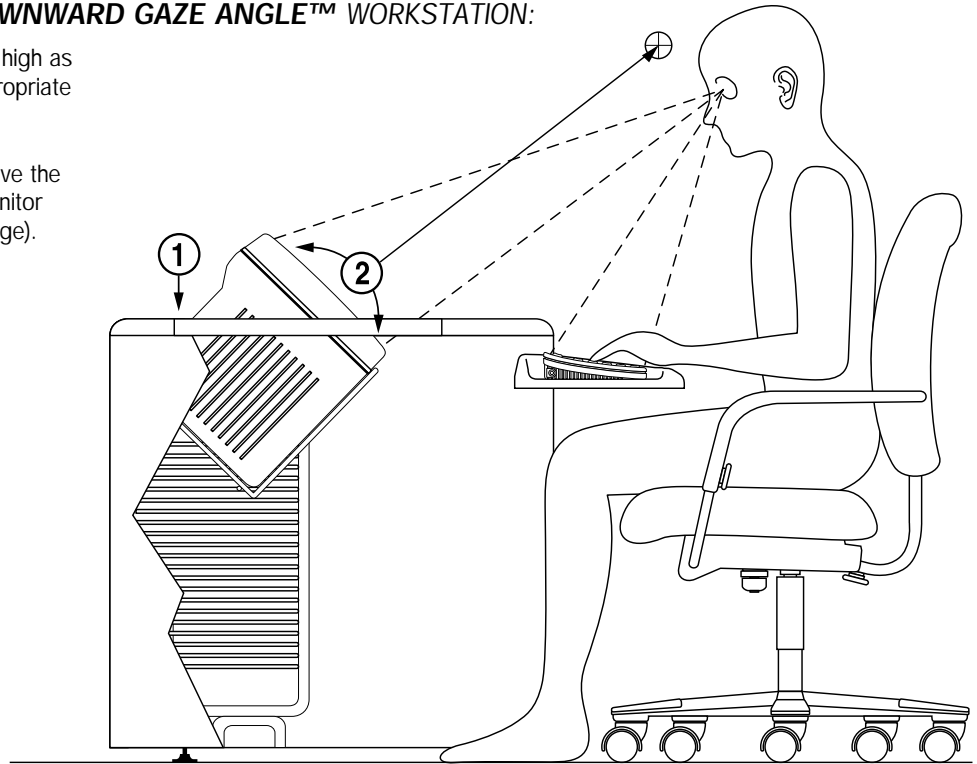
Step #4

After you achieve the desired height and angle, you can fine tune the viewing distance by sliding the carriage forward and backward. Each time you make an adjustment, reinsert the Male Tracking Blocks. When adjustment is completed, install Security Screws.

CORRECT INSTALLATION

CREATING THE CORRECT **DOWNWARD GAZE ANGLE™** WORKSTATION:

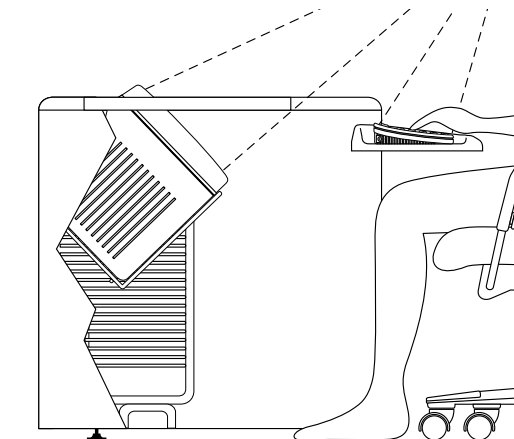
1. Install monitor with top back as high as needed without losing the appropriate viewing angle.
2. Screen should point slightly above the user's face (bottom edge of monitor is nearer to the eye than top edge).



INSTALLATION NOT CORRECT

▼ **TOO LOW!**

...Monitor is located too far below surface so that view is obstructed



▼ **WRONG ANGLE!**

...Top of monitor is closer to the eye than the bottom of the monitor.

